

 **POWER
BREEZER**

F-CLASS

USER MANUAL
MODELS: F240S, F300M, F360L; F420SL



V1.0_2404

Welcome

Congratulations on your selection of a Power Breezer® Drum Fan, and welcome to a cooler tomorrow. We thank you for your purchase. We are proud of our products and have designed your Power Breezer Drum Fan for years of safe and reliable service.

Welcome	2
Important Safety Information	3
Technical Specifications	5
Electrical Wiring Diagram	6
Unit Overview	7
Installation of the Wheels	9
Operation of the Unit	10
Control Panel Settings	10
Positioning the Unit for Safe Operation	11
Maintenance	11
Connecting Units for Increased Cooling Capacity	12
To connect Units together:	12
Storage and Transport	13
Stacking Units for Storage	13
Fault, Cause Analysis, and Troubleshooting	14
Contact Information and Support	15

Important Safety Information

To help protect your safety, this document utilizes safety messages. They are preceded with a safety alert symbol and one of three safety words: DANGER, WARNING, or CAUTION. Each safety message tells you what the hazard is, what can happen, and what you can do to avoid or reduce injury.

The safety signal words mean:

DANGER means if the danger is not avoided, it **WILL** cause **death or serious injury**.

WARNING means if the warning is not heeded, it **CAN** cause **death or serious injury**.

CAUTION means if the precaution is not taken, it **MAY** cause **minor or moderate injury**.

- This Unit is not intended for use by persons (including children) with reduced physical, sensory, or mental capabilities, or lack of experience and knowledge unless they have been given supervision or instruction concerning the use of the appliance by a person responsible for their safety.
- Children should be supervised to ensure that they do not play with the Unit.
- Check to see if the power cord is damaged prior to use. If the power cord is damaged, it must be replaced by the manufacturer, its service agent, or similarly qualified persons to avoid personal injury.
- Ensure the power cord is fully unwound before use.
- Do not use the Unit in places that use or store volatile substances (diluent, gasoline, kerosene, liquefied gas, and other volatile liquids; magnesium, aluminum, lead, and other volatile dust and vapors) to avoid possible ignition, explosion, or fire.
- Do not physically alter the Unit in any way. Doing so may lead to the Unit's failure and or create a fire hazard.
- The Unit should only be powered by an electrical outlet that adheres to national wiring regulations.
- The Unit is designed for use with a 115V~60Hz, power supply.
- Use a dedicated electrical outlet with a current rating of 15A. Use of an electrical outlet shared with other electrical appliances may cause the Unit to malfunction.
- Do not locate the Unit near a fire or high heat source to avoid deformation of the Unit.
- Connect the machine to a grounded power supply.
- Do not position the Unit up against the wall and position near any other structure that may restrict the air flow around the Unit. Ensure a 3 foot gap between the Unit and any obstructions while the Unit is in operation.
- Do not use the Unit in an enclosed environment. There must be sufficient air flow for the Unit to function correctly and perform to its full capabilities.
- Do not move the Unit when it is running.

- Never leave the Unit running unattended.
- Immediately power off and or unplug the Unit in case of an error such as stopped fan rotation, strange noises, improper vibrations, and or unusual odors.
- Grip the plug end when unplugging from the power source. Do not unplug by pulling the power cord. Doing so will damage the power cord.
- Use a dry and clean cloth to clean off any dust or moisture on the power plug regularly. A dusty or moist plug may cause poor contact or electric safety hazards.
- Do not bend, drag, twist, pinch, or change the power cord. Do not overload the power cord which may lead to fire, electrocution, and other safety hazards.
- The Unit is designed for indoor use only. Do not use or store the Unit in locations where rain and or snow may have access to the Unit or its power supply. Do not operate the Unit with wet hands.
- Do not use the Unit on boats and other vehicles.
- Do not insert fingers or other objects inside the Unit, doing so may cause bodily injury.

To prevent damage, the Unit cannot be used in the following locations:

- An uneven or severely angled floor
- Stairway, emergency exit, house exit and entrance, etc.

DANGER RISK OF ELECTROCUTION Please follow standard lockout/tagout procedures and disconnect the power source prior to opening or disassembly of the Unit.

WARNING RISK OF ELECTROCUTION Only trained professional maintenance personnel should assemble, disassemble, and repair the Unit. Others doing so will void the warranty and may be exposed to electrocution, injury, and other safety hazards.

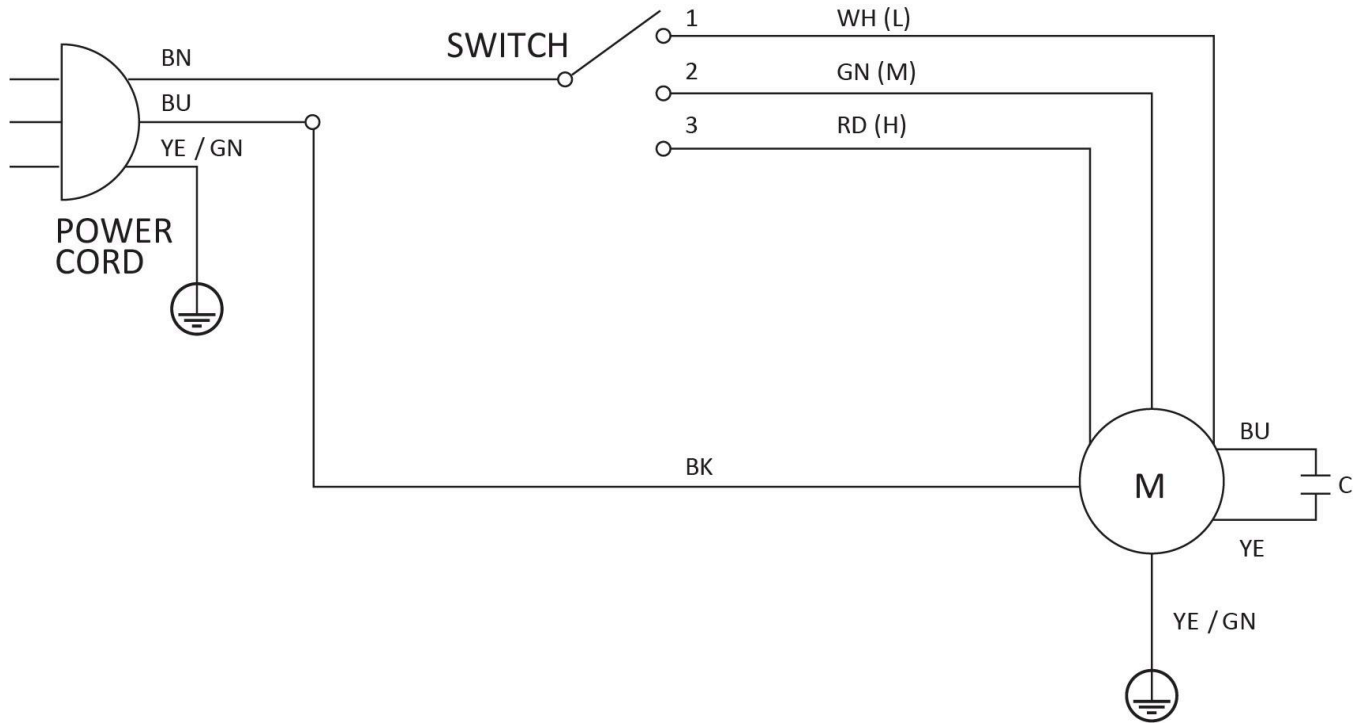
If the Unit becomes damaged or malfunctions, do not attempt to repair the Unit. Doing so will void the warranty. Contact Power Breezer customer service for repair assistance. 1.844.233.5673 | customerservice@powerbreezer.com

Technical Specifications

Model	F240S	F300M	F360L	F420SL
Power Supply (V)	110–120V/60Hz	110–120V/60Hz	110–120V/60Hz	110–120V/60Hz
Fan Motor	1/3hp	1/2hp	1/2hp	3/4hp
Air Volume (CFM)	8,850	12,350	14,150	17,650
Speeds	3	3	3	3
Fan Blade (In.)	24	30	36	42
Fan Speed (RPM)	1,100	1,100	730	720
Noise (dBA)	≤81	≤80	≤76	≤76
Fan Weight (lbs.)	33.0	45.2	58.4	89.3
Fan Type	Axial	Axial	Axial	Axial
Control Interface	Manual	Manual	Manual	Manual
Interlocking Straps	Yes	Yes	Yes	No

Power Breezers products are continually improved. For accurate technical parameters, please refer to the plate on your Unit.

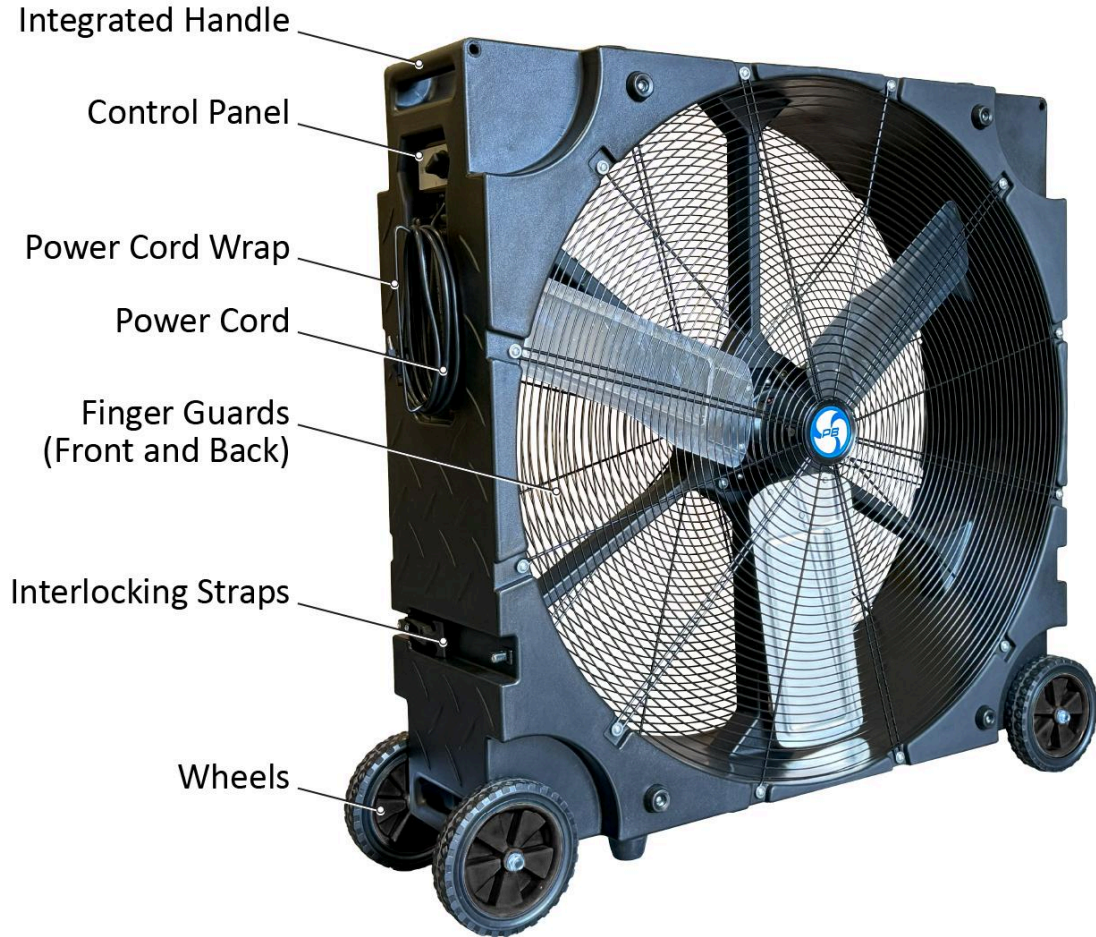
Electrical Wiring Diagram



(Figure 1)

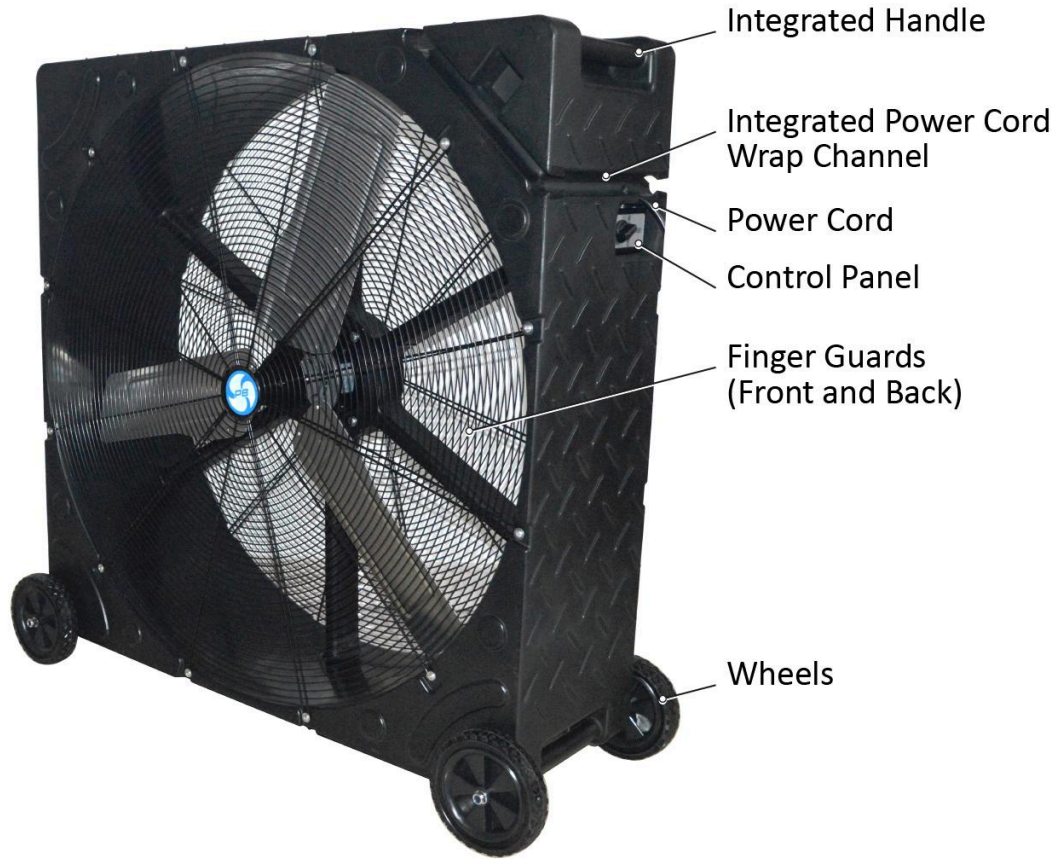
Unit Overview

Models: F240S, F300M, F360L



(Figure 2)

Model: F420SL



(Figure 3)

Installation of the Wheels

TOOLS REQUIRED:

- 17mm Wrench or Socket/Ratchet. x 2

ITEMS REQUIRED:

- 4 Wheels
- 2 Axles
- 8 Washers
- 4 Nuts

1. Orient the Unit so the Control Panel is right reading to locate the bottom of the Unit.
2. Pass an Axle through the pre-molded hole in the bottom of the Fan Housing so that the threads of the Axle are evenly exposed on both sides of the Fan Housing.
3. Slide onto one side of the Axle:
 - a. 1 Washer
 - b. 1 Wheel
 - c. 1 Washer
4. Repeat for the opposite side of the Axle.
5. Firmly hand tighten 1 Nut onto each side of the Axle.
6. Using the wrenches, tighten the Nuts until each of the Nut's outer edge is flush with the Axle. Do not over tighten as the wheel may bind on fan housing. Make sure each Nut is evenly tightened on the Axle.
7. Repeat Steps 2–6 for the other Axle/Wheel set.

Operation of the Unit

DANGER RISK OF FIRE The addition / use of an extension cord to the Power Cord can cause wire overheating, which can lead to the Power Cord melting, and may ultimately lead to fire and or damage to the Unit. **Do not add any extension cords to the Power Cord.**

The Unit, the Power Cord are intended for **indoor use only**.

1. Verify the Speed Control Knob is set to 0.
2. Connect the Power Cord to an appropriate power supply.
3. Start the Unit on by turning the Speed Control Knob to 1.
4. Increase the speed, by continuing to turn the Speed Control Knob, to 2 or 3.
5. Shut off the Unit by turning the Speed Control Knob to 0.

Control Panel Settings

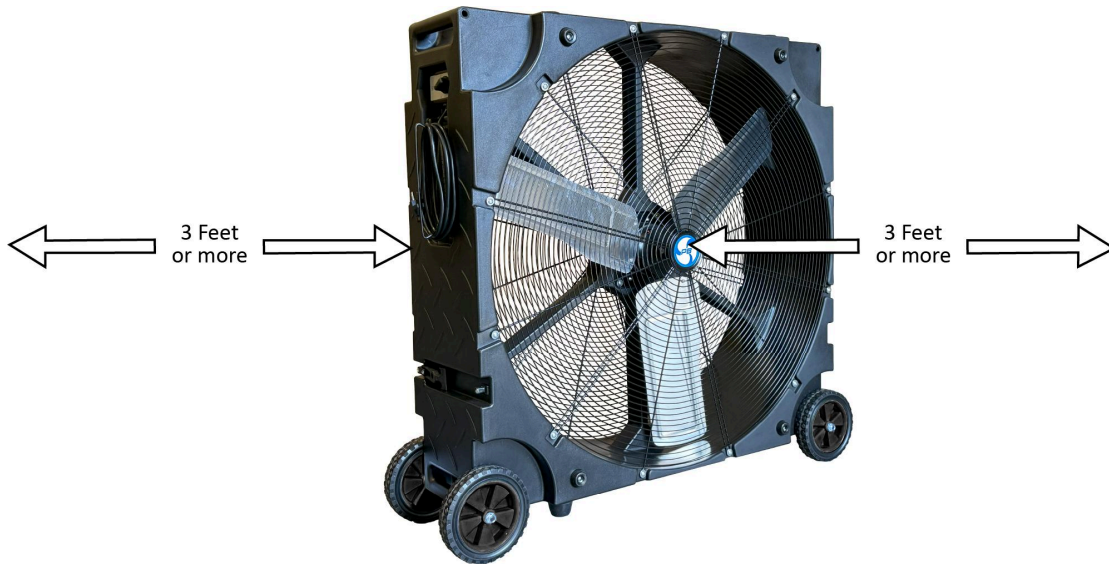
0. Off
1. Low Speed
2. Medium Speed
3. High Speed



(Figure 4)

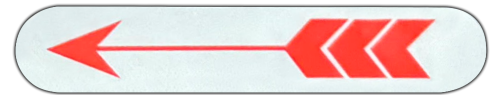
Positioning the Unit for Safe Operation

When the Unit is running, both the front and the back of the Unit should be 3 feet or more away from the walls or other obstacles (See Figure 5).



(Figure 5)

NOTE: The Unit has an air flow direction label that shows the way the air will blow when the Unit is on. The air will blow in the direction of the arrow.



Another way of easily orienting the Unit to the desired direction is the motor will always be at the back of the Unit. The air will always blow to the front.

Maintenance

To maximize the performance and longevity of the Unit, periodically wipe down and or vacuum the front and back finger guards. **DO NOT** clean the Unit while it is plugged in or operating.

- **Do not spray water or other liquids on or in the Unit to clean it.**
- When cleaning the Unit's surfaces, do not use harsh chemicals, volatile oils, or other cleaning solutions that may damage the surfaces. Only use soft, non-abrasive cloths on the Unit's outer surfaces.
- Inspect the Power Cord for any damaged, frayed, pinched areas along its entire length. If damaged, do not use the Unit. The Power Cord must be replaced by the manufacturer, its service agent, or a similarly qualified person to prevent electrical hazards.
- Check for any loose fasteners. If any are found, retighten.

Connecting Units for Increased Cooling Capacity

Models F240S, F300M, and F360M come with Interlocking Straps that allow for two or more Units to be joined together.

NOTE: Only the same model types can be joined to each other. Make sure the Units are facing the same direction.

To connect Units together:

1. With 2 like Units on hand, position the 2 Units back to front (See Figure 6)



(Figure 6)

2. When the Units are closely aligned, use the Interlocking Straps to connect.
 - a. Pull the handle of the Strap back and over the adjacent Unit's latch point.
 - b. Repeat for the opposite side.

Storage and Transport

- Prior to storage or transport use the Unit's integrated Power Cord Wrap to store the Power Cord.
- If transporting substantial distances with wheels on a transport surface or vehicle, employ proper straps and wheel chocks to ensure the Unit will not roll and or shift during transport.
- Never use any strapping, rope, bungee cords, string, etc. attached to or through the Finger Guards to secure the Units. Doing so will damage the Unit.
- Before long-term storage of the Unit, unplug from the power source.
- Store the Unit where children cannot access it. Avoid storing the Unit in locations with high temperatures, water exposure, or direct sunlight.

Stacking Units for Storage

Models F240S, F300M, and F360M are designed to be stacked (**4 Units maximum**) for storage and or transport. (See Figure 7) **DO NOT stack Model F420SL.**

NOTE: Only the same model types can be stacked on each other. Make sure the Units are facing the same direction.

NOTE: The Unit's Interlocking Straps may be employed to partially stabilize the stack.

WARNING RISK OF FALLING OBJECTS The stack may become unstable and fall if placed on uneven or angled surfaces. Never stack on uneven or angled surfaces.

WARNING RISK OF FALLING OBJECTS The stack may become unstable and fall if transported. Never transport stacked Units without additional strapping that ensures the Units are securely fastened to each other and or the transport surface, vehicle, etc.

WARNING RISK OF FALLING OBJECTS The stack may become unstable and fall if climbed upon. Never climb on, sit on, step on or allow children access to the stacked Units.



(Figure 7)

Fault, Cause Analysis, and Troubleshooting

If the Unit stops functioning properly, please immediately turn the power off and remove the power plug from the electrical source. Refer to the table below for Fault, Cause Analysis, and Troubleshooting.

Fault	Cause Analysis	Troubleshooting
No Air Flow	If the Power Plug is loose or partially inserted in the power source	Please insert the Power Plug firmly in the appropriate power source
	The Power Cord or Plug may be damaged	Inspect cord and plug
	Air Inlet blocked	Check for obstructions and proper operating distance from objects
	Faulty Motor	Replace Motor
	Faulty Control Panel	Replace Control Panel

Contact Information and Support

General Information or Product / Installation Support:

Customer Service: customerservice@powerbreezer.com

Parts: parts@powerbreezer.com

Phone: 844.233.5673

Visit: www.PowerBreezer.com/support

For Sales Information:

sales@powerbreezer.com

Phone: 844.233.5673

User Videos:

www.youtube.com/powerbreezer

www.powerbreezer.com

Follow Us:

www.facebook.com/PowerBreezer

www.twitter.com/PowerBreezer

www.linkedin.com/company/power-breezer/